

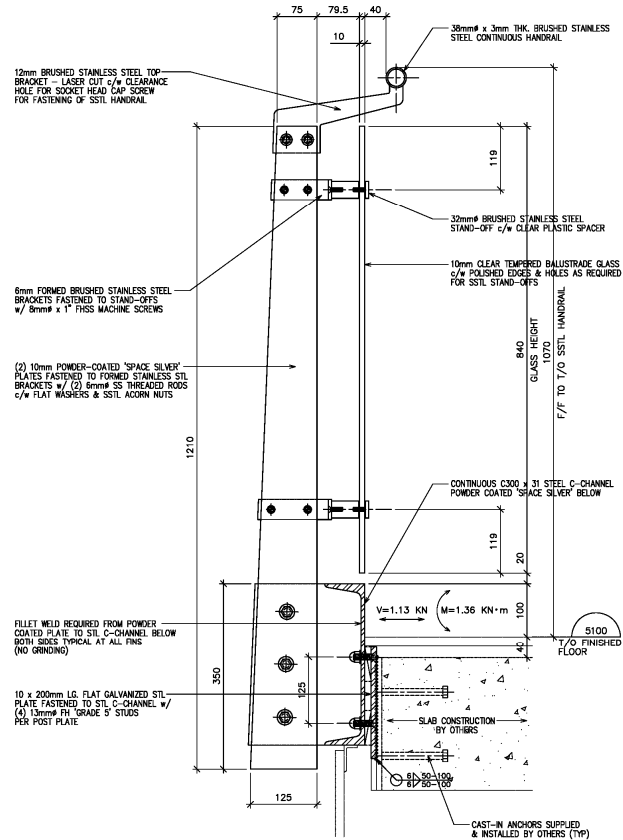
# SPECIALTY PRODUCTS – INTERIORS

## CENTENNIAL PLACE – CALGARY AB

GENERAL CONTRACTOR: PCL CONSTRUCTION

ARCHITECT: WZMH ARCHITECTS

Custom stainless steel & glass guard rails. Concealed handrail fastening without the need for saddle supports. Custom profile brackets and balusters. Total in house design and fabrication by GAM

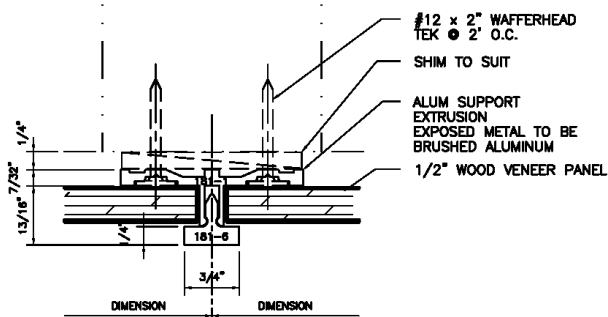


## TRANS CANADA PIPELINE – CALGARY AB

GENERAL CONTRACTOR: PCL CONSTRUCTION

ARCHITECT: COHOS EVAMY PARTNERSHIP

Custom interior glass and wood wall panel system. Brushed anodized aluminum grid framing system adaptable to many types of finished and substrate panels.



TYPICAL VERTICAL DETAIL

