

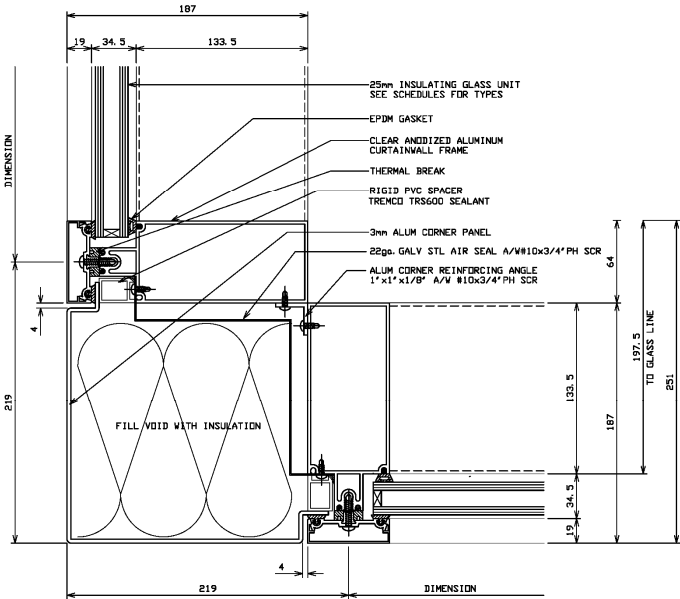
CURTAINWALL PRODUCTS – STICK BUILD

GEORGE BROWN COLLEGE CASA LOMA – TORONTO ON

GENERAL CONTRACTOR: EASTERN CONSTRUCTION

ARCHITECT: MOFFIT KINOSHITA ARCHITECTS

Single and multiple floor stick build curtainwall. Fully capped or available in 2 sides SSG vertical or horizontal. Multi floor spans incorporate spandrel area c/w insulated backpan or shadow box construction if required.



CENTENNIAL PLACE – CALGARY AB

GENERAL CONTRACTOR: PCL CONSTRUCTION

ARCHITECT: WZMH ARCHITECTS

High span stick build curtainwall, with custom structural steel columns and wishbone design wind girt supports. Design incorporates custom all glass canopies.

